



# SS-4901

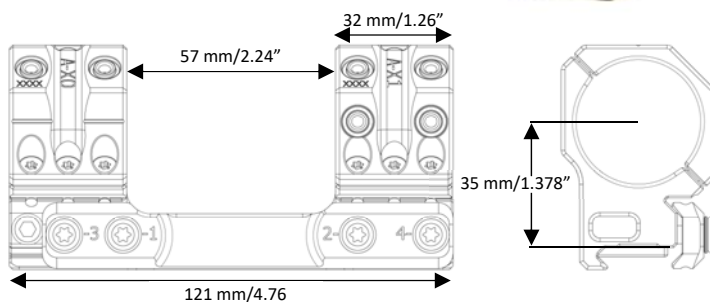
## Scope Mount Ø34 H35mm/1.378" 9MIL Sauer

Direct mount for use on Sauer STR dovetail

Rings: 34 mm  
Tilt: 9 MIL/30 MOA  
Height: 35 mm/1.378"  
Length: 121 mm/4.76"  
Weight: 218 g/7.7 oz  
Interfaces: 7 sets  
EAN: 7340150700560



The **IDEAL SCOPE MOUNT SYSTEM** series of mounts feature **seven set of interfaces** to **attach any of more than 40 different accessories**, and has a bubble level integrated in the rear plane of the mount body to prevent canting of the rifle. The rings are diagonally cut for increased visibility of the elevation and windage turrets (US Patent 8,733,011).



The mounts are machined from billet 7075 T651 aluminum and all aluminum parts are hardcoat anodized. The Torx 20 ring and clamping screws are zinc-nickel coated for corrosion resistance. The screws come pre-waxed from the factory to ensure proper torque values.

The mount is shipped with an adjustable recoil screw, a manual, and a "wedge" leveling key.

### NOTE:

The SS-4901 is designed for use with 56 mm objectives on Sauer STR dovetails instead of MIL-STD-1913 or STANAG 4694 rails. The SS-4901 will fit most 34 mm scope tubes except for scopes with extended erector housings, such as the US Optics TPAL/EREK and the Nightforce BEAST.

CONTACT

Spuhr i Dalby AB

Phone: +46 46 712 012

Web: [www.spuhr.com](http://www.spuhr.com)

Address: Terminalvägen 19  
SE-246 42 Löddeköpinge  
Sweden