

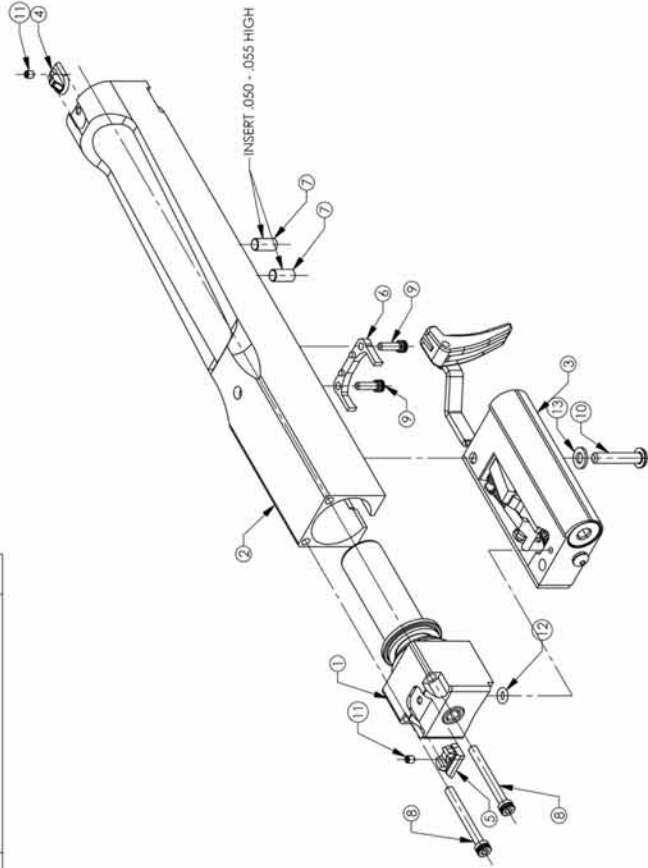
TIBERIUS T8 GUN BODY ASSEMBLY

Disassemble trigger group (3) from gun body (2) before removing engine and firing bolt assembly (1). When reassembling, install engine and firing bolt assembly to gun body before installing trigger assembly.

IMPORTANT: Whenever separating regulator body (3) from gun body (2), always **PUSH THE BOLT FORWARD** before reassembling. Failure to do so will trap the bolt behind the trigger release and the gun will not fire.

Barrel locks are press-fit to factory specifications.
DO NOT ATTEMPT TO REMOVE.

ITEM NO.	DESCRIPTION	QTY.
1	ENGINE & FIRING BOLT ASSYS	1
2	GUN BODY	1
3	TRIGGER ASSY	1
4	FRONT SIGHT	1
5	REAR SIGHT	1
6	AMMO RELEASE FORK	1
7	BARREL LOCKS	2
8	END CAP SCREWS	2
9	RELEASE FORK SCREWS	2
10	REGULATOR BODY SCREW	1
11	SIGHT SCREWS	2
12	END CAP / REG BODY SEAL	1
13	REG BODY SCREW WASHER	1



TIBERIUS ARMS TECHNICAL MANUAL

TIBERIUS T9 / TIBERIUS T8

PAT# 6,892,718 PAT# 6,701,909 PAT# 6,470,872 & PATENTS PENDING
TIBERIUSARMS.COM

This is not a toy. Misuse may cause serious injury or death. Eye protection designed specifically for paintball must be worn by the user and persons within range. Recommend 18 years or older to purchase. Persons under 18 must have adult supervision. READ OWNER'S MANUAL BEFORE USING.

WARNING:

WARNINGS

- Treat every marker as if loaded.
- Never look down barrel of a paintball marker.
- Keep finger off trigger until ready to shoot.
- Never point marker at anything you do not wish to shoot.
- Keep barrel blocking device in or on marker's muzzle when not shooting.
- Always remove paintballs and propellant source before disassembling.
- After removing propellant source, point marker in safe direction and discharge until marker is degassed.
- Store marker unloaded and degassed in secure place.
- Follow warnings listed on propellant source for handling and storage.
- Do not shoot at fragile objects such as windows.
- Every person within range must wear eye, face and ear protection designed specifically to stop paintballs.

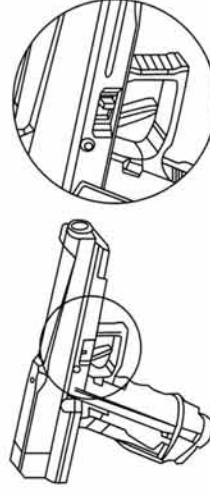
WARRANTY

Tiberius Arms products are crafted with the finest materials and designed for trouble-free performance. Tiberius Arms warrants this product to be free from defects in materials and workmanship for a period of one year from the date of purchase by the original owner. Unauthorized modifications, alterations, neglect or abuse of this product voids this warranty. The warranty only covers the parts and labor required to repair the product to proper working order. Tiberius Arms takes great pride in its products and service. Please contact us with any questions or concerns.

SAFETY

Safety switch is located in window above trigger, and is accessible from either side of marker.

When safety window is red, the safety is off and the marker will fire. When safety window is black, the safety is on and the marker will not fire.

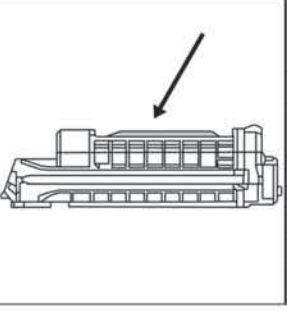


LOAD PAINT

- Pull ball pusher down to bottom.
- Turn to lock pusher in down position.
- Load eight 68 caliber paintballs from top.
- Leave ball pusher locked in down position. It will automatically release when inserted into marker.

Tiberius Arms
2717 Ferguson Rd
Fort Wayne, IN 46809
888-982-2842

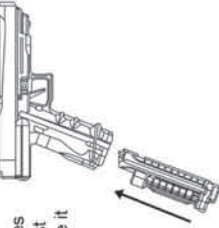
LOAD CO2

	<p>1. Place 12-gram CO2 cartridge in magazine as depicted.</p> <p>2. Quickly rotate a 3/16" Allen wrench (included in box) clockwise until CO2 punctures and seals. You will hear a small burst of air just before it seals.</p>
---	--

NOTE: Bottom of magazine has a manual counter to track number of times you have reloaded magazine.

LOAD MAGAZINE

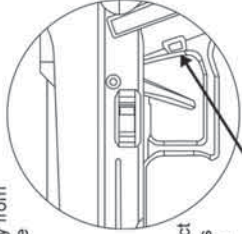
Orient magazine as shown and insert firmly into handle until it clicks and locks into place.



IMPORTANT: If magazine does not insert on first attempt, remove it completely and reinsert.

RELEASE MAGAZINE

With the barrel facing away from you, depress the magazine release button.

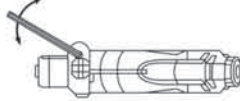


When there is CO2 in the canister, magazine will eject from handle. When there is no CO2, you must pull the magazine free.

SET VELOCITY

1. Insert a 3/16" Allen wrench as depicted.
2. To increase velocity, turn clockwise. To decrease velocity, turn counter-clockwise.
3. Fire once to clear chamber after each adjustment, then measure velocity of the second shot.

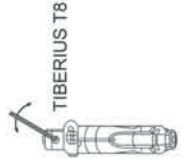
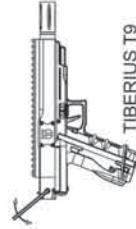
Safety Tip: Always measure marker's velocity before playing paintball. Never shoot at velocities in excess of 300 ft/s (91.44 m/s). Recommended velocity is 270 ft/s.



SET RELIEF VALVE

IMPORTANT: Relief valve is not set at the factory – you must set it yourself.

1. Set velocity as described in SET VELOCITY section.
2. Insert a 3/16" Allen wrench and turn counterclockwise until you hear air leaking out of the hole.
3. Give wrench 1/4 turn clockwise. Relief valve will begin to bleed off excess air if velocity raises more than approximately 20 ft/s above where you set the velocity. (For example, if velocity is set at 270 ft/s, relief valve will bleed off air at 290 ft/s).



Safety Tip: Always set relief valve before playing paintball.

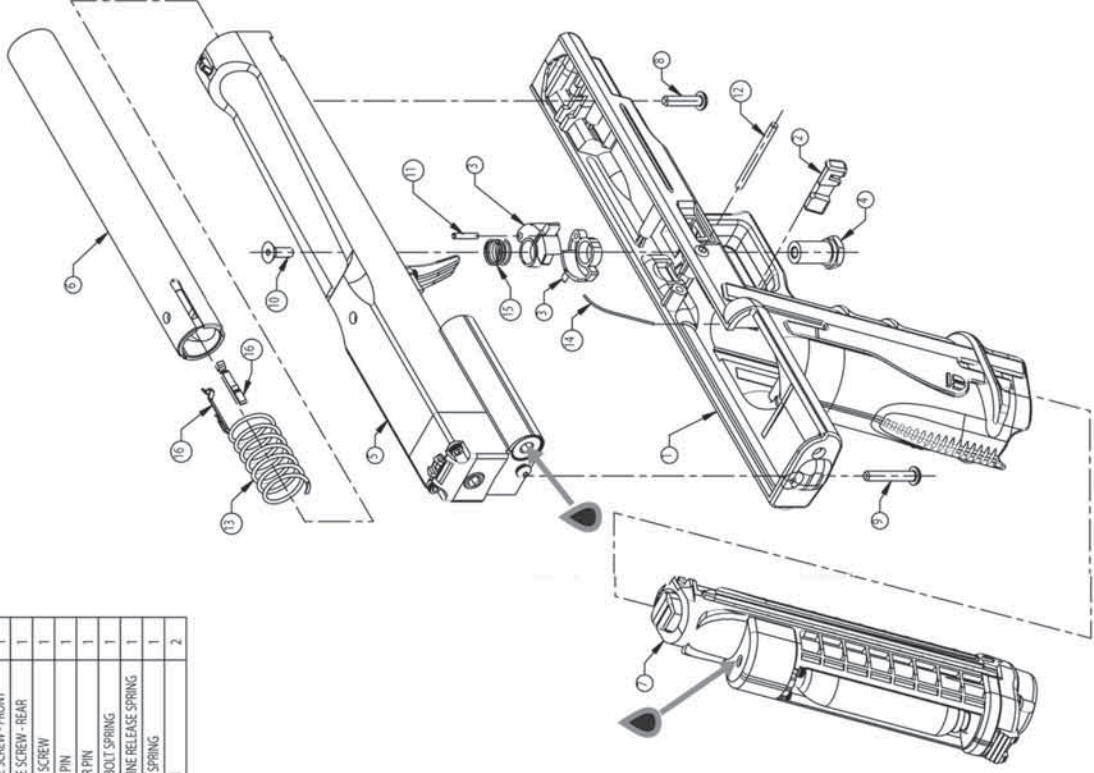
WARNING: If relief valve opens, do not fire. Pressure is too high. Eject magazine and lower velocity before continuing play.

TIBERIUS 8

ITEM NO.	DESCRIPTION	QTY.
1	HANDLE ASSEMBLY	1
2	MAGAZINE RELEASE BUTTON	1
3	SAFETY	2
4	SAFETY BUSHING	1
5	GUN BODY ASSEMBLY	1
6	BARREL	1
7	MAGAZINE ASSEMBLY	1
8	HANDLE SCREW - FRONT	1
9	HANDLE SCREW - REAR	1
10	SAFETY SCREW	1
11	SAFETY PIN	1
12	TRIGGER PIN	1
13	FRING BOLT SPRING	1
14	MAGAZINE RELEASE SPRING	1
15	SAFETY SPRING	1
16	NUBBIN	2

Always ensure nubbins (16) are in place after removing barrel.

To disassemble, remove screws (9) and (8). Then remove barrel in order to remove screw (10). Push out pin (12) located by safety. Pull gun body out of handle vertically, starting at the nose.



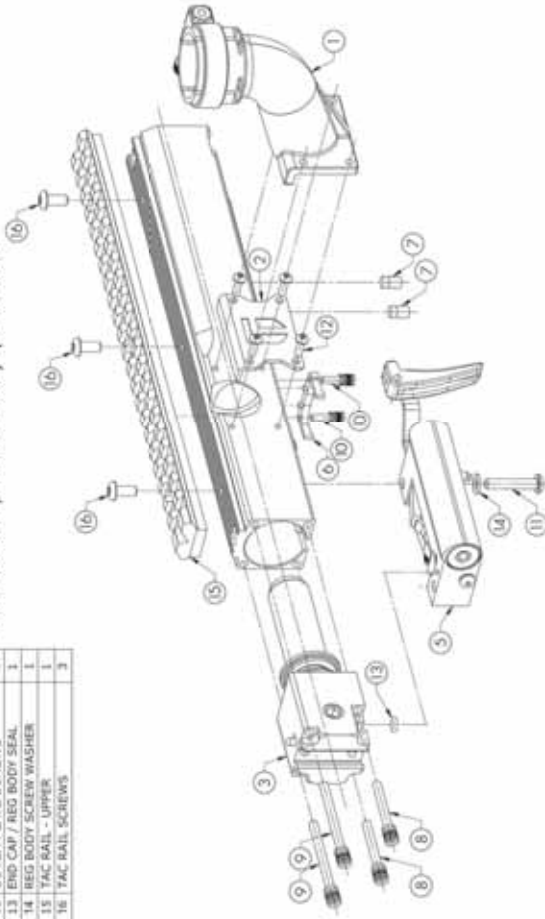
TIBERIUS T9 GUN BODY ASSEMBLY

ITEM NO.	DESCRIPTION	QTY.
1	HOPPER ADAPTER	1
2	COVER PLATE	1
3	ENGINE & FIRING BOLT ASSY	1
4	GUN BODY	1
5	TRIGGER ASSY	1
6	ARMO RELEASE FORK	1
7	BARREL LOCKS	2
8	END CAP SCREWS 1 1/8"	2
9	END CAP SCREWS 2"	2
10	RELEASE FORK SCREWS	2
11	REGULATOR BODY SCREW	1
12	COVER PLATE SCREWS	4
13	COVER CAP / REG BODY SEAL	1
14	REG BODY SCREW WASHER	1
15	TAC RAIL - UPPER	1
16	TAC RAIL SCREWS	3

To disassemble, remove trigger group (5), (14) and (11) from gun body (4) before removing engine and firing bolt assembly (3). When reassembling, install engine and firing bolt assembly to gun body before installing trigger group.

IMPORTANT: Whenever separating regulator body (5) from gun body (4), always **PUSH THE BOLT FORWARD** before reassembling. Failure to do so will trap the bolt behind the trigger release, and the gun will not fire.

Barrel locks are press-fit to factory specifications.



REMOVE BARREL

IMPORTANT: Before performing any of the following instructions, remove magazine. Point marker in safe direction and discharge until degassed.

1. Remove magazine.
2. To remove barrel, press inward, rotate counterclockwise and release. Barrel will slide out.



MAINTENANCE

IMPORTANT: Before performing any of the following instructions, remove magazine. Point marker in safe direction and discharge until degassed.

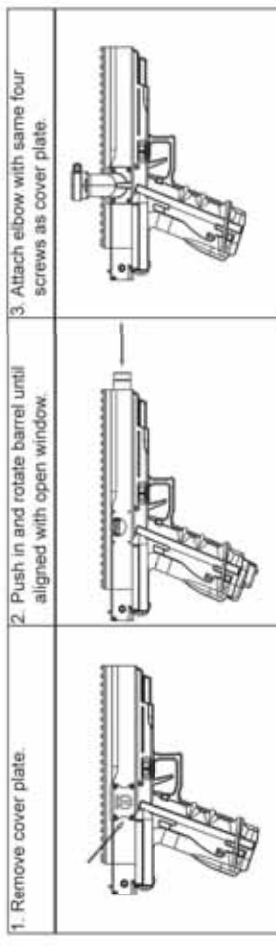
- For optimum performance, do the following monthly:
1. Place three drops of oil between trigger release and trigger rotator.
 2. Place three drops of oil in velocity adjuster hole.
 3. Place two drops of oil (aiming toward center pin) in each of the airflow openings in the bolt.
 4. Place one drop of oil on CO2 o-ring found at top of CO2 valve in magazine.

NOTE: See oil drop symbols on parts diagram.



TIBERIUS T9 T9 SPECIFIC SECTION

CONVERT TO HOPPER



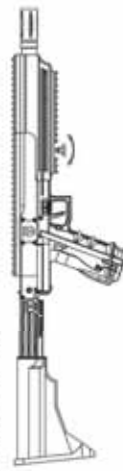
CONVERT TO REMOTE AIR LINE

1. Remove CO2 base screw.
2. Replace with remote line adapter.



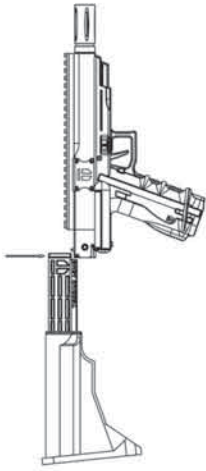
ATTACH / DETACH SHROUD

Attach and detach shroud using thumb screw.

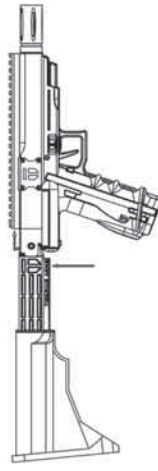


ATTACH/DETACH STOCK

- To attach, pull retention pin back, align dove rails and push down until pin clicks into place.



- To detach, pull retention pin back while simultaneously pulling straight up on stock.



SCOPE SHIM ASSEMBLY

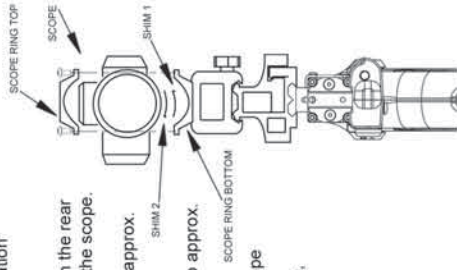
- Sight in scope to 25 feet without shims using scope's wind and elevation adjustments.

- Add scope shim in the rear scope ring under the scope.

- Shim zeroes to approx. 75 feet

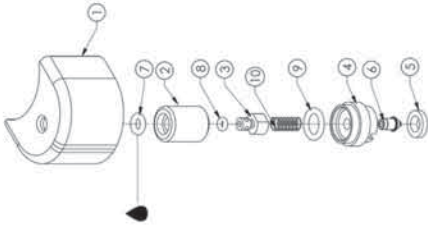
- Shims zeroes to approx. 100 feet

- When using 2 scope shims, stack as shown in diagram, with tabs on opposite sides.



CO2 VALVE HOUSING

ITEM NO.	DESCRIPTION	QTY.
1	CO2 VALVE HOUSING	1
2	CO2 VALVE BUSHING	1
3	CO2 VALVE	1
4	CO2 PUNCTURE BODY	1
5	CO2 SEAL	1
6	CO2 PUNCTURE TIP	1
7	CO2 HOUSING O-RING	1
8	CO2 VALVE O-RING	1
9	CO2 BUSHING O-RING	1
10	CO2 VALVE SPRING	1

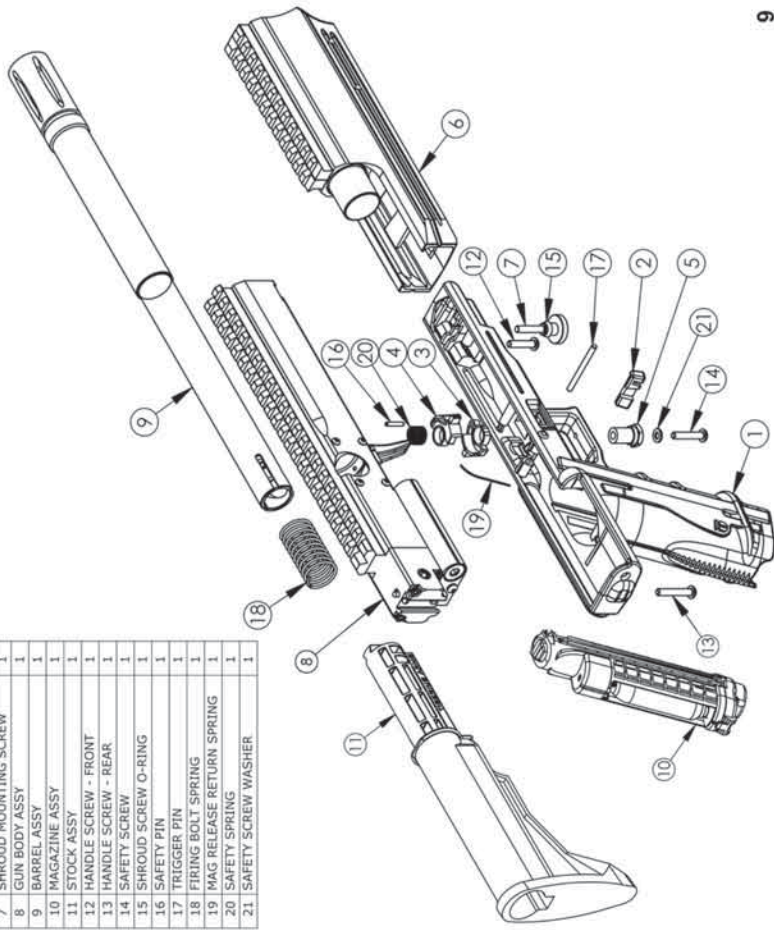


Insert CO2 valve spring (10) into CO2 valve (3) and around CO2 puncture tip.

TIBERIUS T9

ITEM NO.	DESCRIPTION	QTY.
1	HANDLE ASSY	1
2	MAGAZINE RELEASE BUTTON	1
3	SAFETY - LH	1
4	SAFETY - RH	1
5	SAFETY BUSHING	1
6	SHROUD ASSY	1
7	SHROUD MOUNTING SCREW	1
8	GUN BODY ASSY	1
9	BARREL ASSY	1
10	MAGAZINE ASSY	1
11	STOCK ASSY	1
12	HANDLE SCREW - FRONT	1
13	HANDLE SCREW - REAR	1
14	SAFETY SCREW	1
15	SHROUD SCREW O-RING	1
16	SAFETY PIN	1
17	TRIGGER PIN	1
18	FIRING BOLT SPRING	1
19	MAG RELEASE RETURN SPRING	1
20	SAFETY SPRING	1
21	SAFETY SCREW WASHER	1

To disassemble, remove three screws: (13), (14) and (7 or 12). Push out pin (17) located by the safety. Pull gun body out of handle vertically, starting at the nose.



TIBERIUS T8 & T9 TROUBLESHOOTING

IMPORTANT: Before performing any of the following instructions, remove magazine. Point marker in safe direction and discharge until degassed.

Gun is gassed up and is not leaking, but will not fire

Velocity adjuster may be loose. It must be tightened down in order for marker to fire.

Bolt may not have been pushed forward before assembling regulator body and gun body. Disassemble, remove barrel, and push bolt forward before assembling.

Gas leaking out barrel

Bolt could be jammed in forward position. Insert a rod into barrel and strike bolt to free it.

Air chamber o-ring may have come out. If so, you will find it inside the firing bolt. Ensure o-ring groove in air chamber is clean, then put o-ring back into place.

Gas leaking out back end, between plastic handle and metal body

O-ring between regulator and end cap may be missing, damaged or out of place. Replace it.

Screw at back of marker may be loose or missing. Disassemble to reset o-ring. Reassemble, ensuring screw is tight.

Double or rapid firing

Sear may be worn. Replace it.

Pressure may be too low. Try a new 12-gram CO2.

Regulator may be set too low. Simply tighten velocity adjuster.

Trigger does not return

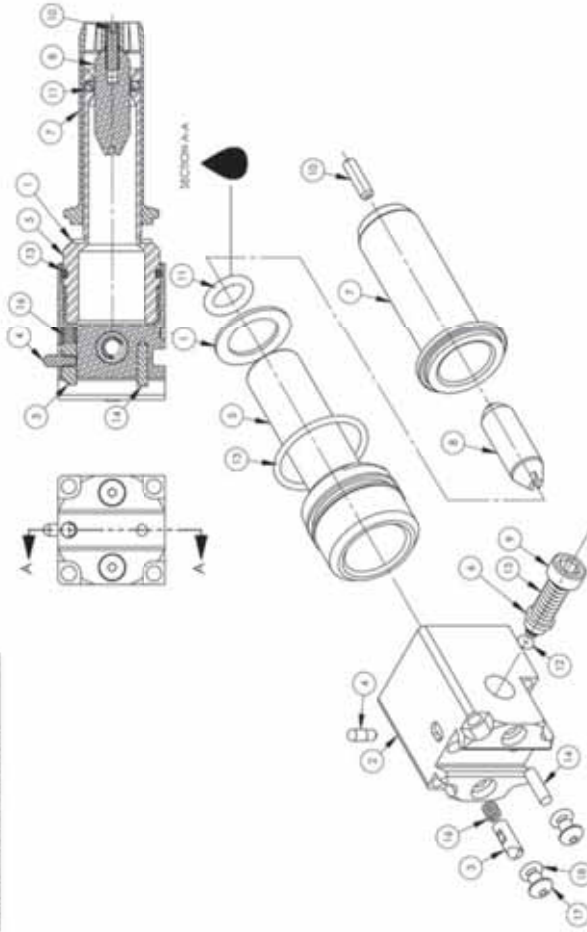
Replace trigger spring.

For additional assistance, please call our service center at 888-982-2842.

ENGINE & FIRING BOLT ASSEMBLY

Note: Do not attempt to disassemble bolt (7) and firing pin (8). The alignment is set by factory fixtures and cannot be reassembled outside the factory.

ITEM NO.	DESCRIPTION	QTY.
1	AIR CHAMBER SHOCK ABSORBER	1
2	END CAP - RH	1
3	END CAP - L	1
4	PIN CATCH - END CAP	1
5	AIR CHAMBER - RH	1
6	RELIEF VALVE - RH	1
7	FIRING BOLT - RH	1
8	FIRING PIN - RH	1
9	RELIEF VALVE SOCKET SET SCREW	1
10	FIRING BOLT SET SCREW	1
11	AIR CHAMBER CAP O-RING	1
12	RELIEF VALVE O-RING	1
13	AIR CHAMBER O-RING	1
14	STOCK SLIDE STOP	1
15	RELIEF VALVE SPRING	1
16	SPRING - PIN CATCH	1
17	REGULATOR SEALING SCREWS	2
18	REGULATOR SEALING O-RING	2



TIBERIUS ARMS PARTS DIAGRAMS

TIBERIUS T5 / TIBERIUS T8

TRIGGER GROUP

ITEM NO.	DESCRIPTION	QTY.
1	TRIGGER	1
2	TRIGGER COVER	1
3	SEAR	1
4	ROTATOR	1
5	RELEASE	1
6	PUSH ROD	1
7	REGULATOR ASSEMBLY	1
8	TRIGGER COVER SCREWS	2
9	PUSH ROD RETAINER	1
10	REGULATOR BODY PINS	3
11	PUSH ROD PIN	2
12	SEAR SPRING	1
13	TRIGGER RETURN SPRING	1
14	RELEASE SPRING	1
15	ROTATOR SPRING	1
16	TRIGGER TENSION SPRING	1

*Standard includes a return spring 13 in kit.

Assemble rotator spring (15) with large end toward rotator (4).

